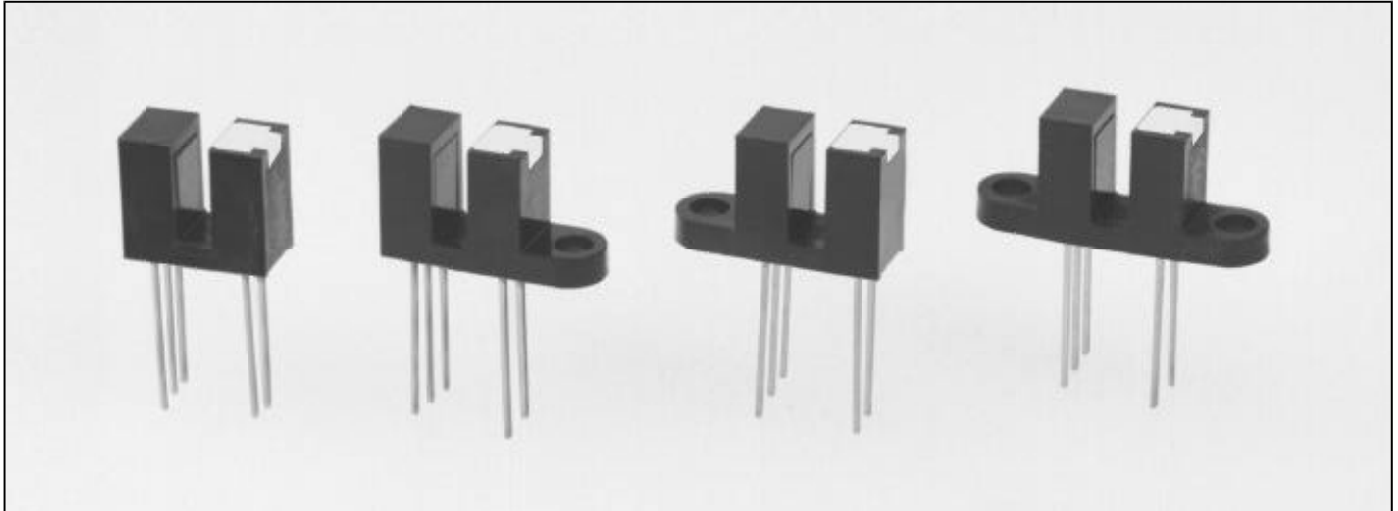


Photologic™ Slotted Optical Switches

Types OPB960, OPB970 Series



Features

- Choice of mounting configuration
- Choice of aperture
- Choice of output configuration
- Choice of opaque or IR transmissive shell material
- Data rates to 250 kBaud
- 0.320" lead spacing for PC board mount

Description

The OPB960 and OPB970 series of Photologic™ Photo Integrated Circuit Switches provide optimum flexibility for the design engineer. Building from a standard housing with a .125" wide slot, the user can specify (1) type and polarity of TTL output, (2) discrete shell material, (3) aperture width, and (4) type of mounting configuration. Available with 24", 26AWG wire leads as OPB980/OPB990 series.

The electrical output can be specified as either TTL totem pole or TTL open collector. Either may be supplied with inverter or buffer output polarity. All have added stability of a built-in hysteresis amplifier.



RoHS

Absolute Maximum Ratings (T_A = 25°C unless otherwise noted)

Supply Voltage, V _{CC} (Not to exceed 3 sec.)	10V
Storage Temperature Range	-40°C to +85°C
Operating Temperature Range	-40°C to +70°C
Lead Soldering Temperature [1/16 inch (1.6mm) from case for 5 sec. with soldering iron]	240°C ⁽¹⁾
Input Diode Power Dissipation	100mW ⁽²⁾
Output Photologic™ Power Dissipation	200mW ⁽³⁾
Total Device Power Dissipation	300mW ⁽⁴⁾
Voltage at Output Lead (Open Collector Output)	35V
Diode Forward D.C. Current	40mA
Diode Reverse D.C. Voltage	2V

Notes:

- (1) RMA flux is recommended. Duration can be extended to 10 sec. max. when flow soldering.
- (2) Derate linearly 2.22mW/°C above 25° C.
- (3) Derate linearly 4.44mW/°C above 25° C.
- (4) Derate linearly 6.66mW/°C above 25° C.
- (5) The OPB960/OPB970 series are terminated with .020" square leads designed for printed circuit board mounting.
- (6) Normal application would be with light source blocked, simulated by I_F = 0mA.
- (7) All parameters tested using pulse technique.

Housing

All housings are an opaque grade of injection-molded plastic to minimize the assembly's sensitivity to ambient radiation, both visible and near-infrared. Discrete shells (exposed on the parallel faces inside the device throat) are either IR transmissive plastic for applications where aperture contamination may occur or opaque plastic for maximum protection against ambient light.

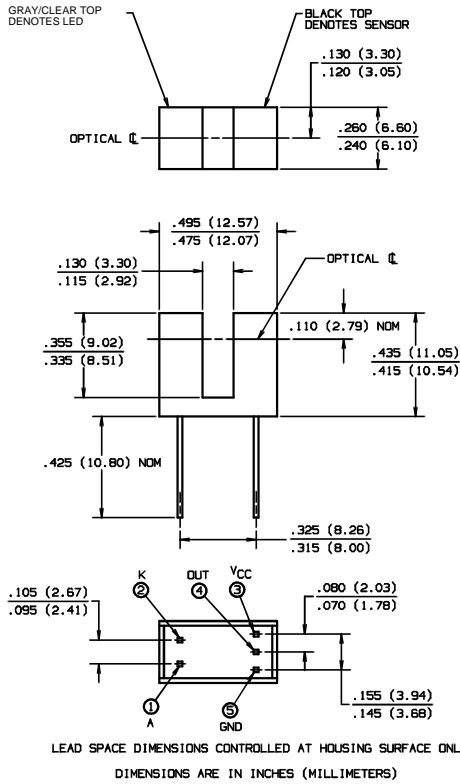
Types OPB960, OPB970 Series

Electrical Characteristics ($T_A = -40^\circ\text{C}$ to $+70^\circ\text{C}$ unless otherwise noted).

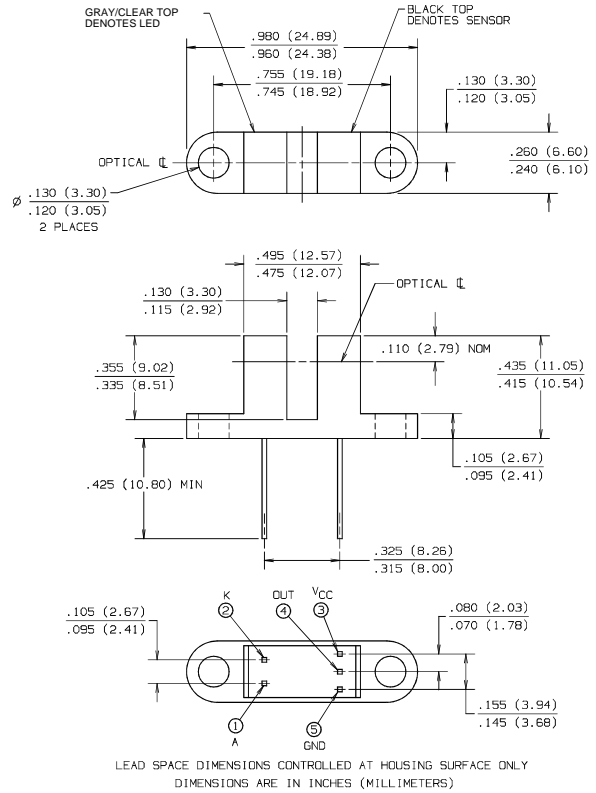
SYMBOL	PARAMETER	MIN	TYP	MAX	UNITS	TEST CONDITIONS
Input Diode						
V_F	Forward Voltage			1.7	V	$I_F = 20\text{ mA}$, $T_A = 25^\circ\text{C}$
I_R	Reverse Current			100	μA	$V_R = 2.0\text{ V}$, $T_A = 25^\circ\text{C}$
Output Photologic[®] Sensor						
V_{CC}	Operating D.C. Supply Voltage	4.75		5.25	V	
I_{CCL}	Low Level Supply Current: Buffered Totem-Pole Output Buffered Open-Collector Output			15	mA	$V_{CC} = 5.25\text{ V}$, $I_F = 0\text{ mA}^{(6)}$
	Inverted Totem-Pole Output Inverted Open-Collector Output			15	mA	$V_{CC} = 5.25\text{ V}$, $I_F = 15\text{ mA}$
I_{CCH}	High Level Supply Current: Buffered Totem-Pole Output Buffered Open-Collector Output			15	mA	$V_{CC} = 5.25\text{ V}$, $I_F = 15\text{ mA}$
	Inverted Totem-Pole Output Inverted Open-Collector Output			15	mA	$V_{CC} = 5.25\text{ V}$, $I_F = 0\text{ mA}^{(6)}$
V_{OL}	Low Level Output Voltage: Buffered Totem-Pole Output Buffered Open-Collector Output			0.4	V	$V_{CC} = 4.75\text{ V}$, $I_{OL} = 12.8\text{ mA}$ $I_F = 0\text{ mA}^{(6)}$
	Inverted Totem-Pole Output Inverted Open-Collector Output			0.4	V	$V_{CC} = 4.75\text{ V}$, $I_{OL} = 12.8\text{ mA}$ $I_F = 15\text{ mA}^{(6)}$
V_{OH}	High Level Output Voltage: Buffered Totem-Pole Output	2.4			V	$V_{CC} = 4.75\text{ V}$, $I_{OH} = -800\text{ }\mu\text{A}$ $I_F = 15\text{ mA}$
	Inverted Totem-Pole Output	2.4			V	$V_{CC} = 4.75\text{ V}$, $I_{OH} = -800\text{ }\mu\text{A}$ $I_F = 0\text{ mA}^{(6)}$
I_{OH}	High Level Output Current: Buffered Open-Collector Output			100	μA	$V_{CC} = 4.75\text{ V}$, $V_{OH} = 30\text{ V}$, $I_F = 15\text{ mA}$, $T_A = 25^\circ\text{C}$
	Inverted Open-Collector Output			100	μA	$V_{CC} = 4.75\text{ V}$, $V_{OH} = 30\text{ V}$, $I_F = 0\text{ mA}$, $T_A = 25^\circ\text{C}$
$I_{F(+)}$	LED Positive-Going Threshold Current			15	mA	$V_{CC} = 5.0\text{ V}$, $T_A = 25^\circ\text{C}$
$I_{F(+)} / I_{F(-)}$	Hysteresis		2.0			$V_{CC} = 5.0\text{ V}$
I_{OS}	Short Circuit Output Current: Buffered Totem-Pole Output "11" Series	-15		-60	mA	$V_{CC} = 5.25\text{ V}$, $I_F = 15\text{ mA}$ Output = GND
	Inverted Totem-Pole Output "11" Series	-15		-60		$V_{CC} = 5.25$, $I_F = 0\text{ mA}$ Output = GND
t_r, t_f	Output Rise Time, Output Fall Time		70		ns	$V_{CC} = 5.0\text{ V}$, $T_A = 25^\circ\text{C}$ $I_F = 0$ or 15 mA
t_{PLH}, t_{PHL}	Propagation Delay Low-High & High-Low		5.0		μs	$R_L = 8\text{ TTL (Totem Pole)}$ $R_L = 360\Omega$ (Open Collector)

Types OPB960, OPB970 Series

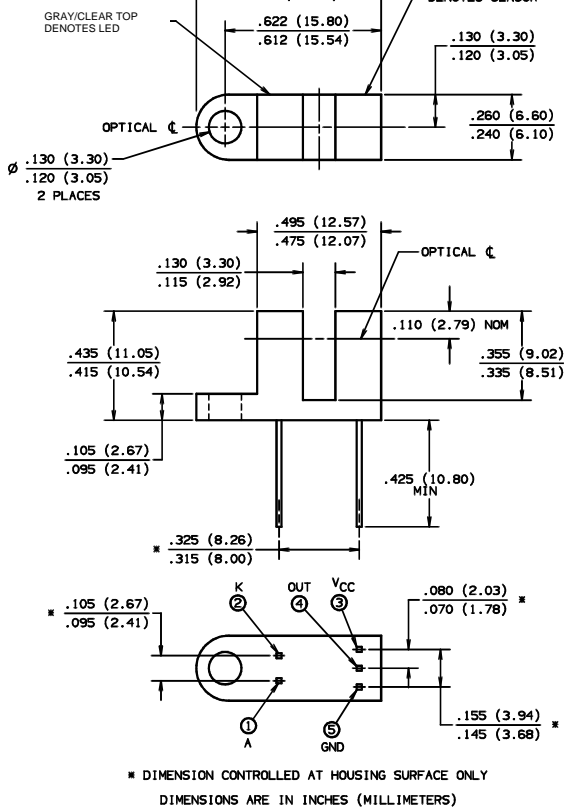
Package N



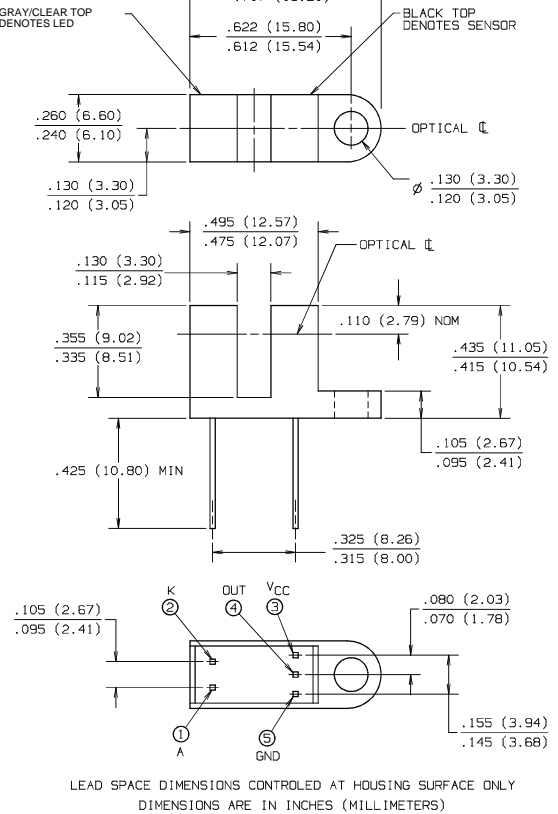
Package T



Package L



Package P



Optek reserves the right to make changes at any time in order to improve design and to supply the best product possible.

Optek Technology, Inc.

1215 W. Crosby Road

Carrollton, Texas 75006

(972)323-2200

Fax (972)323-2396

3-OPTWO

